

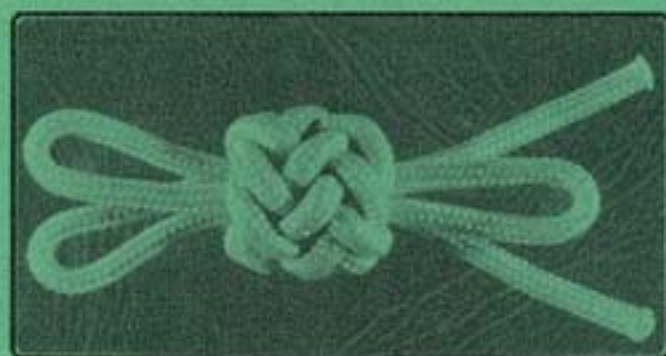


Department of Mathematics and Statistics  
University of Waikato

A.G. Schaake  
J.C. Turner  
D.A. Sedgwick

# **BRAIDING**

## **- REGULAR FIADOR KNOTS**



**A Series of Books on Braiding**

Book 2/1

\*\*\*\*\*

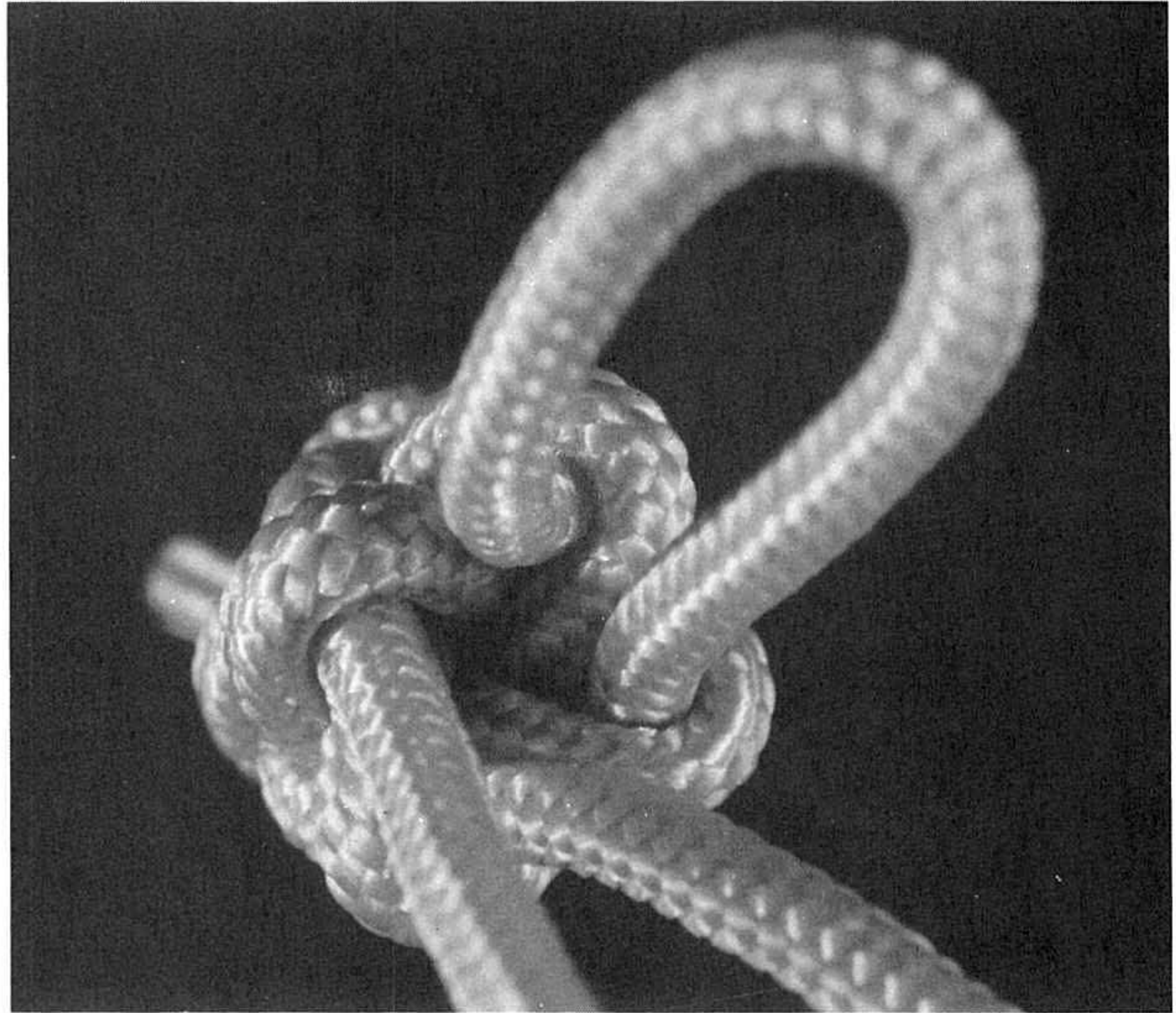
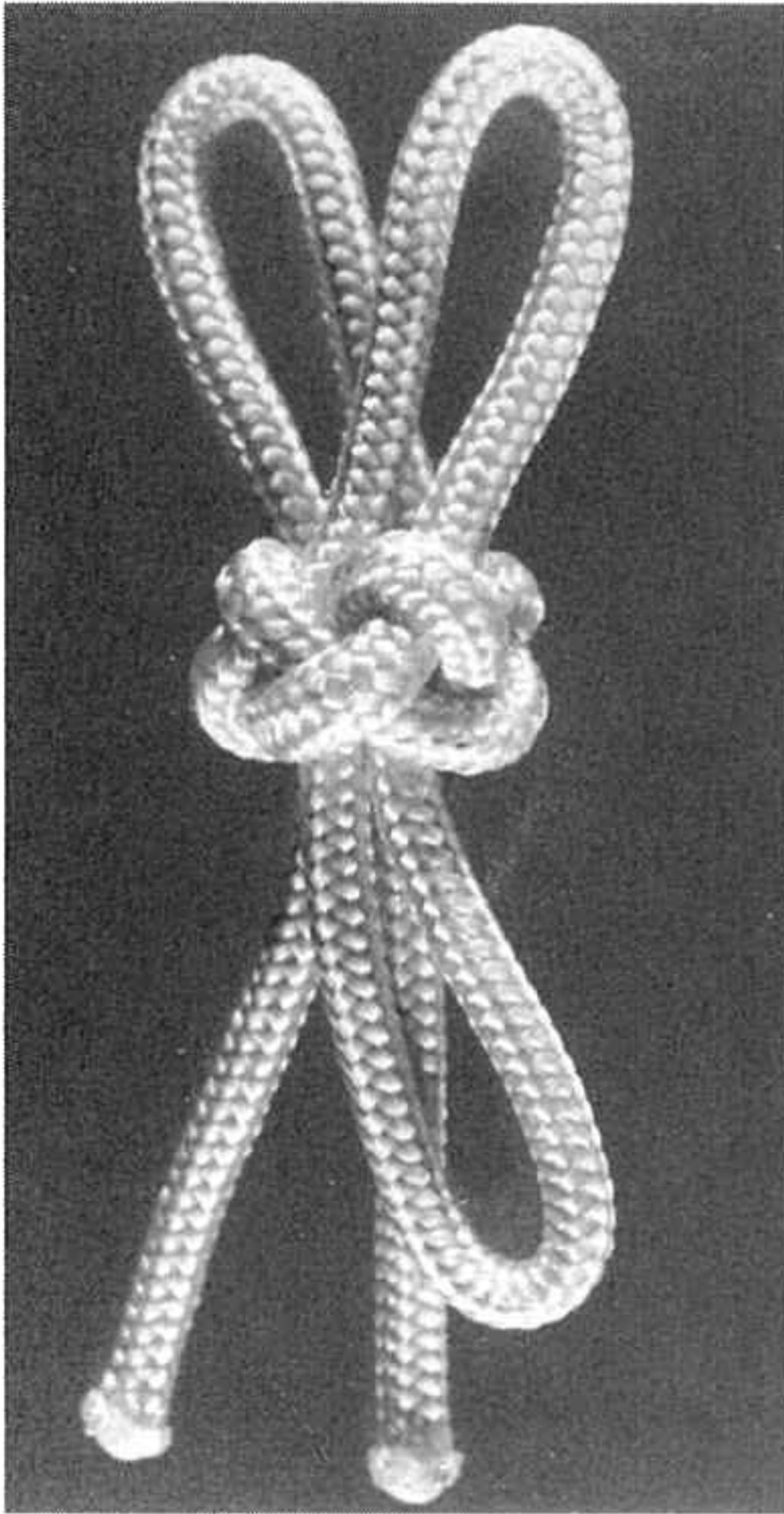
1990

New and Automatic Construction Methods

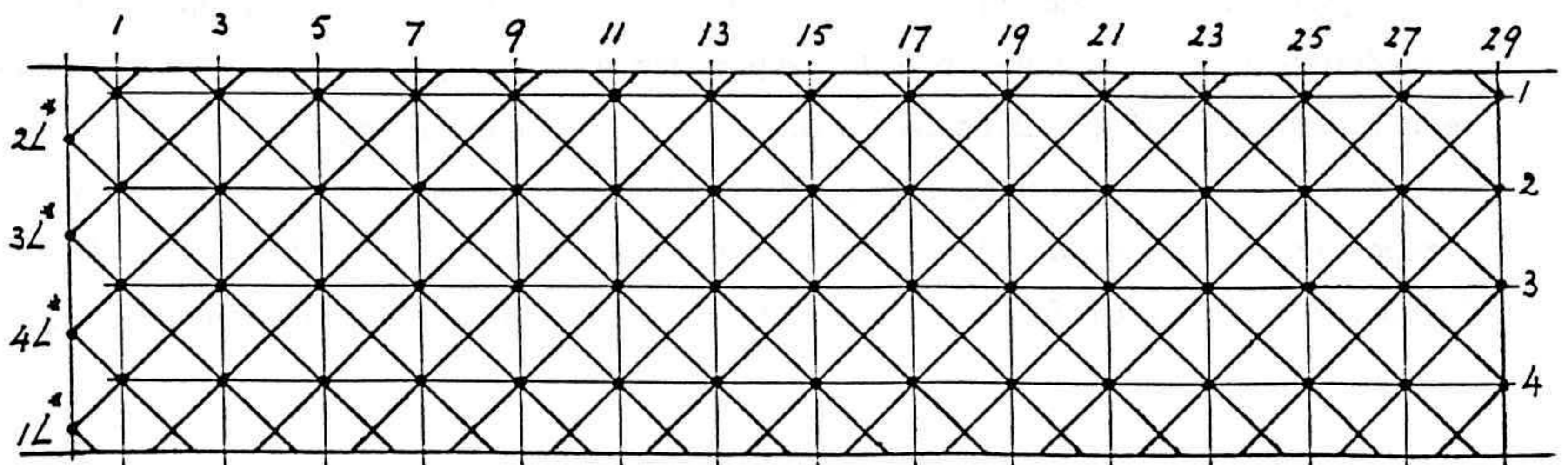
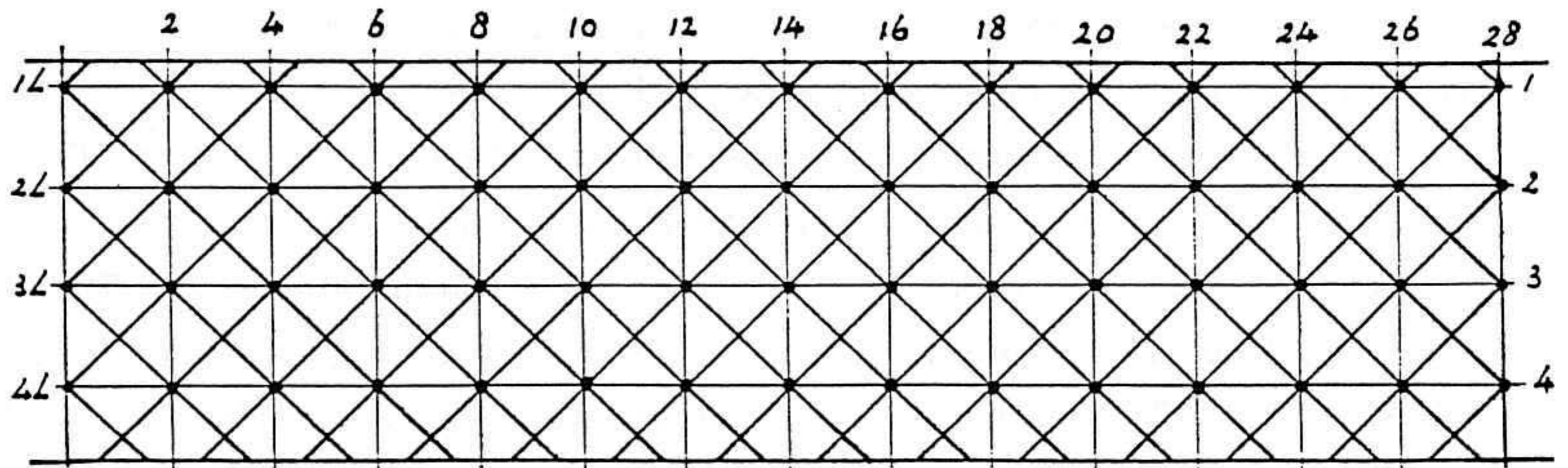
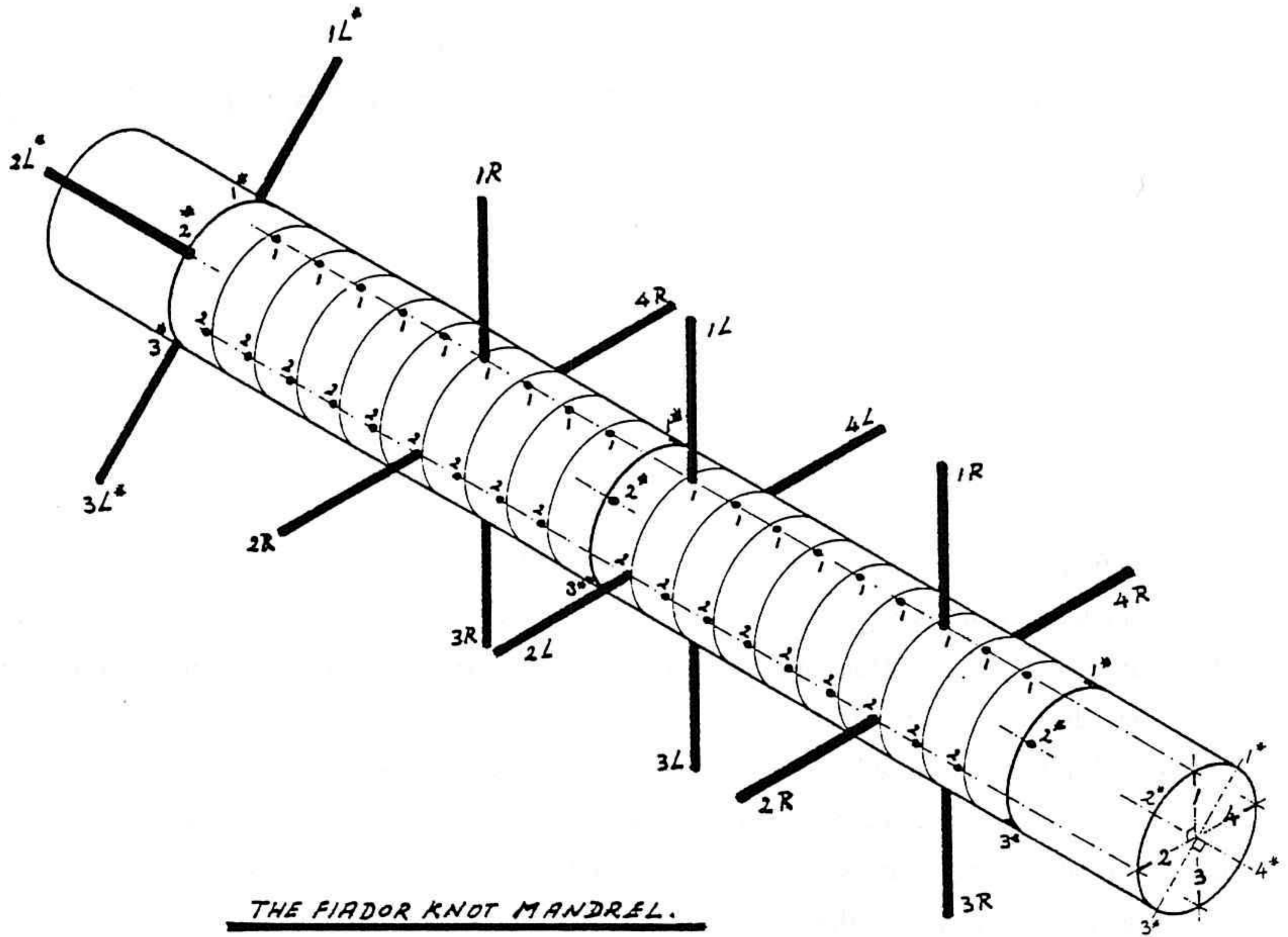
By extending this process we can braid as many fiador knots in series as we like.

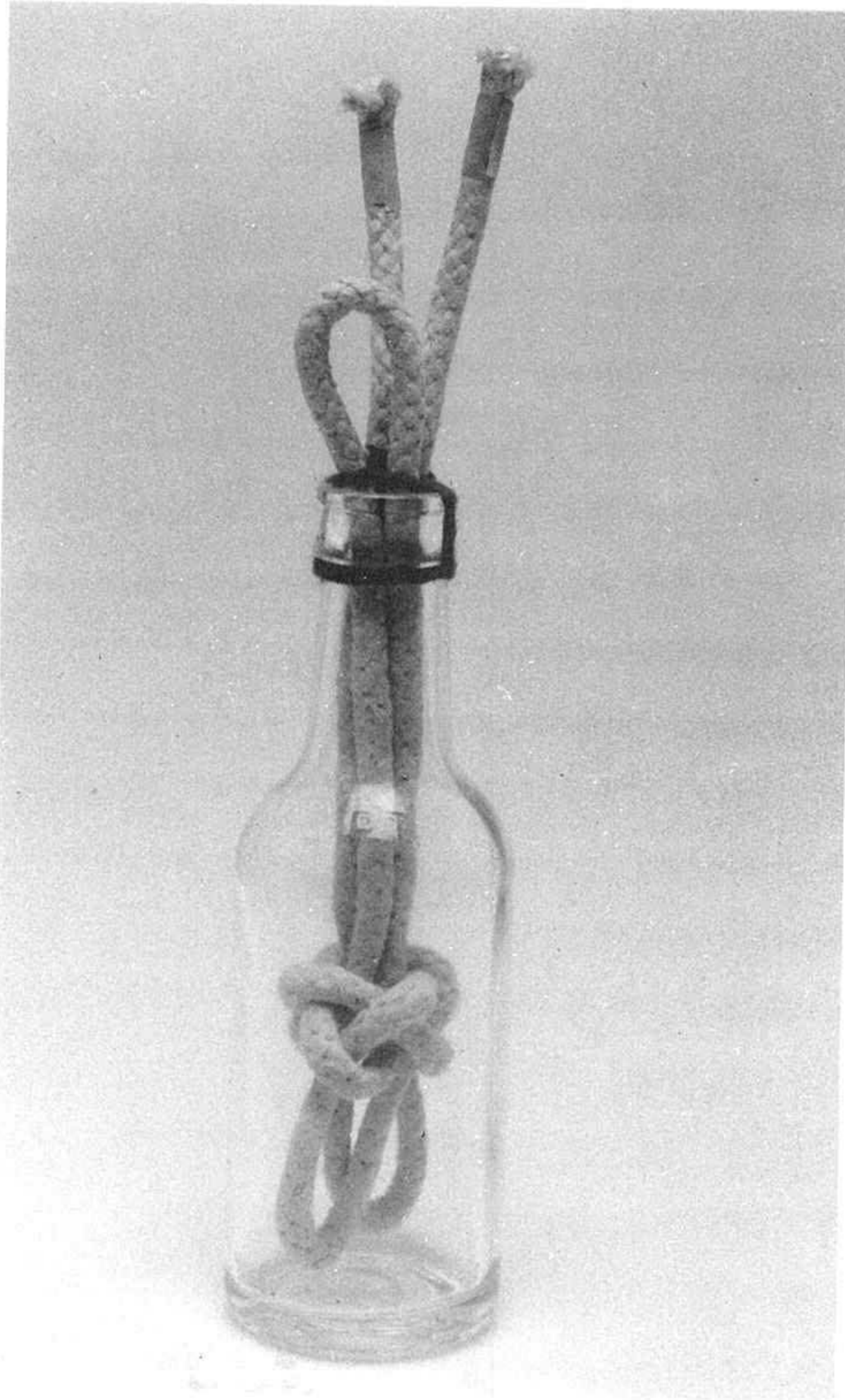
*An important point in the construction of the fiador knots is the emergence of the strings from the knot at the "loop and two loose ends" side. The emergence should be from the centre and NOT along the bights, since emergence along the bights has a spreading effect on the knot.*

The following photographs illustrate this point.



Most fiador knots can be designed so that the emergence of the strings at *both* sides is from the centre, and those knots are not only much nicer in appearance but are also much superior in their form-retention and are to be preferred.

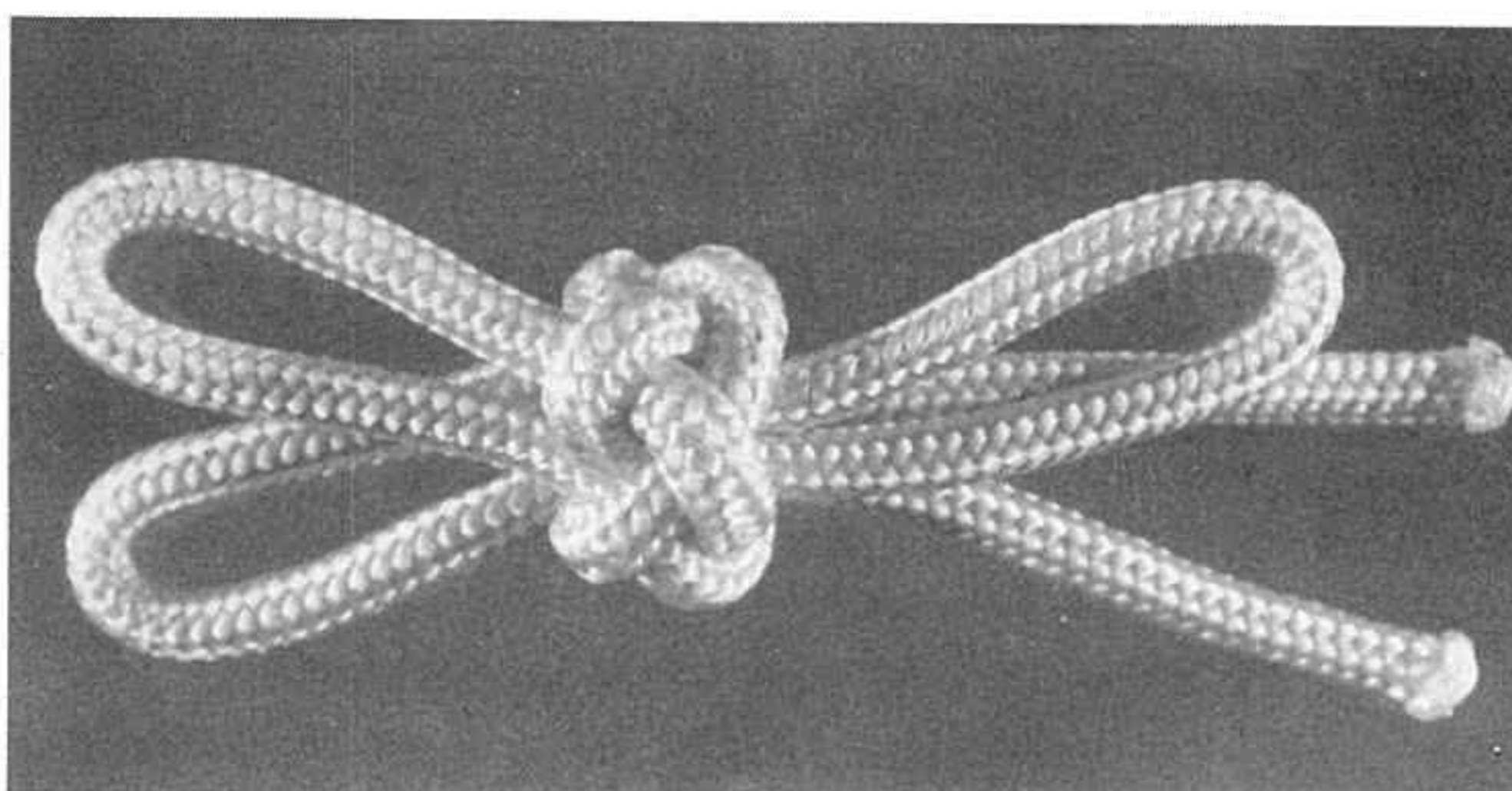




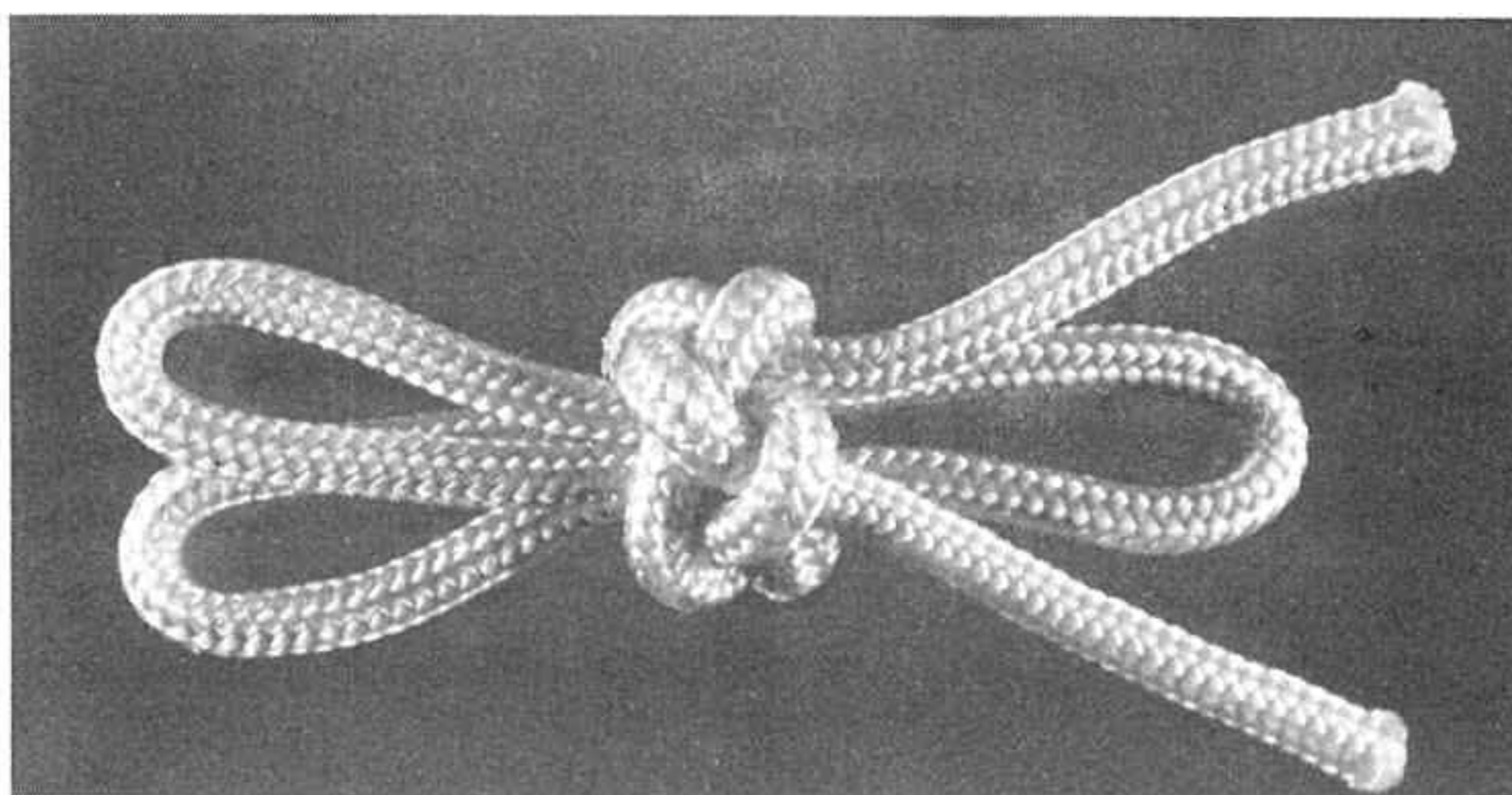
## THE KNOT IN THE BOTTLE

The *Cowboy's* equivalent to the *Sailor's* 'Ship in the bottle'.

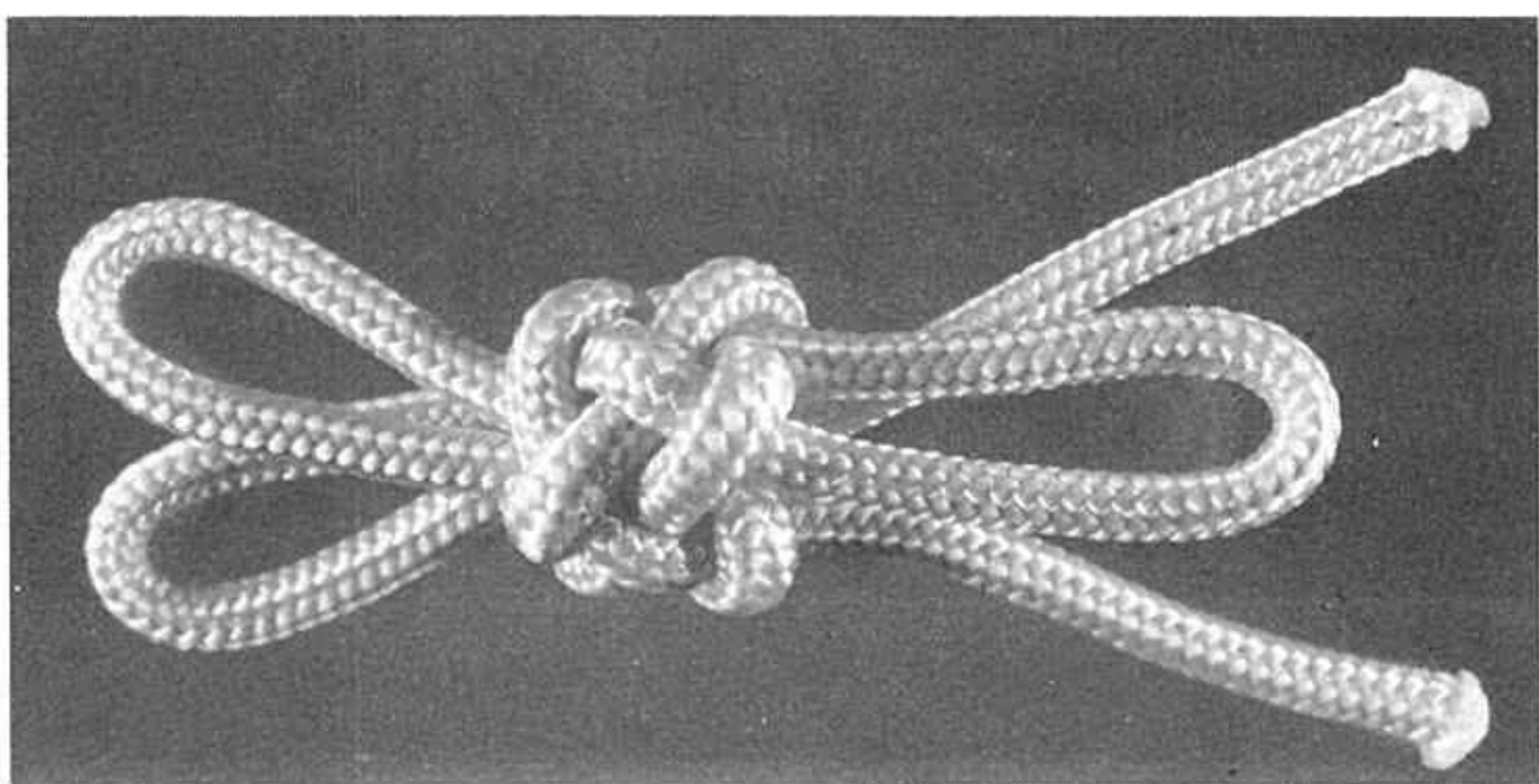
created by **Eugene Ulrich**



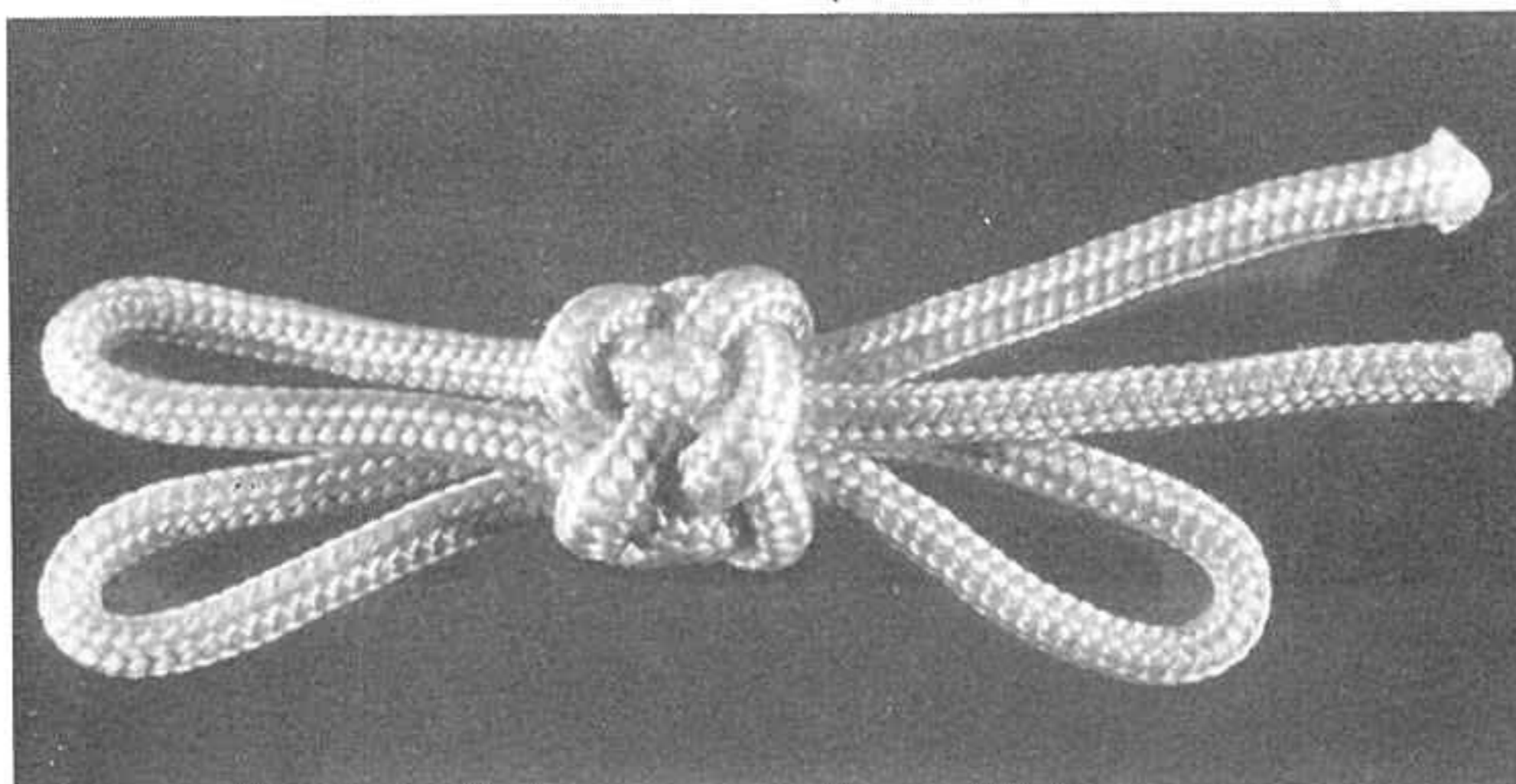
**Reversed "OLE" Fiador Knot (Type I) 3p/4b**



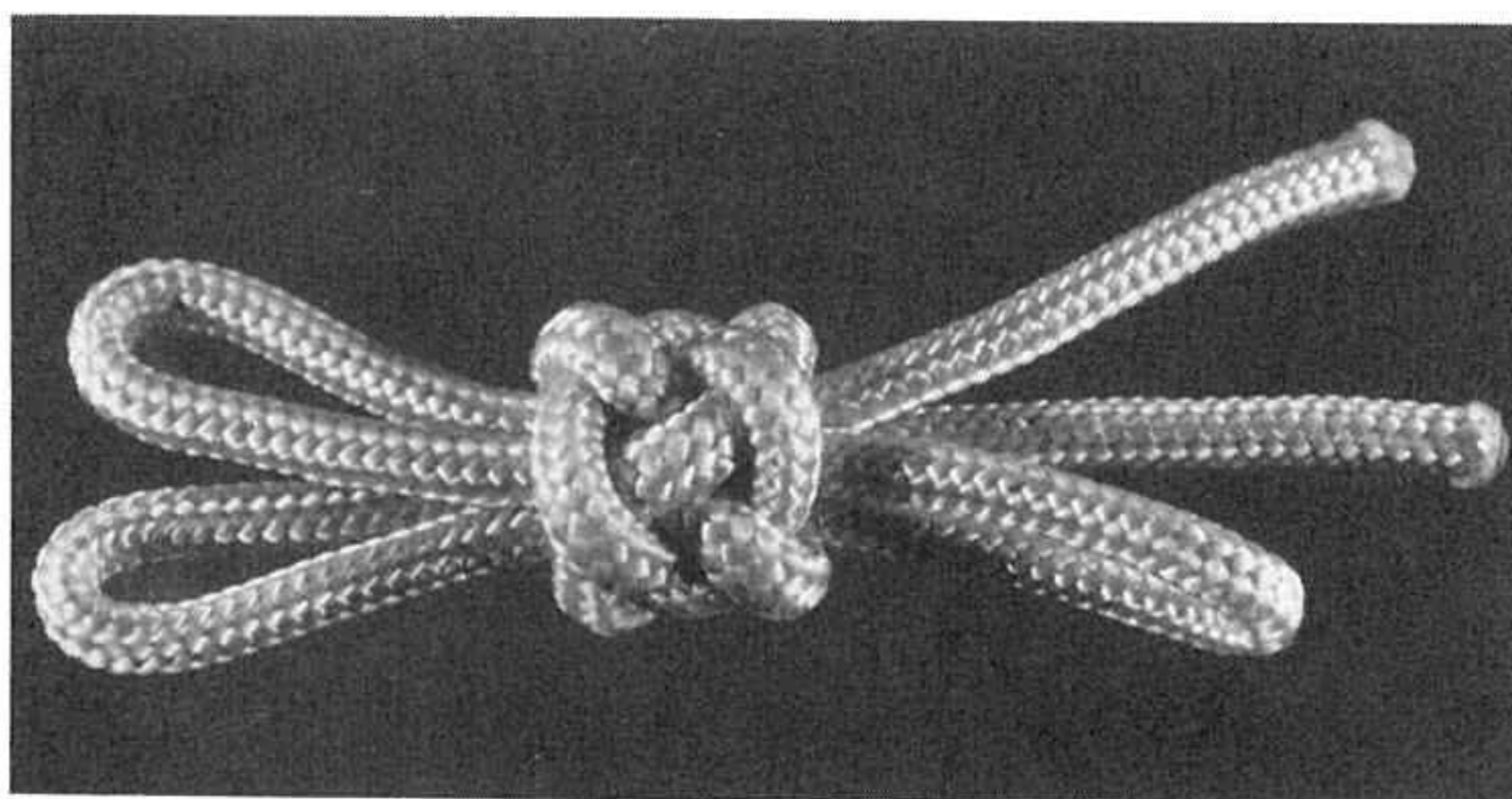
**"OLE" Fiador Knot (Type I) 3p/4b**



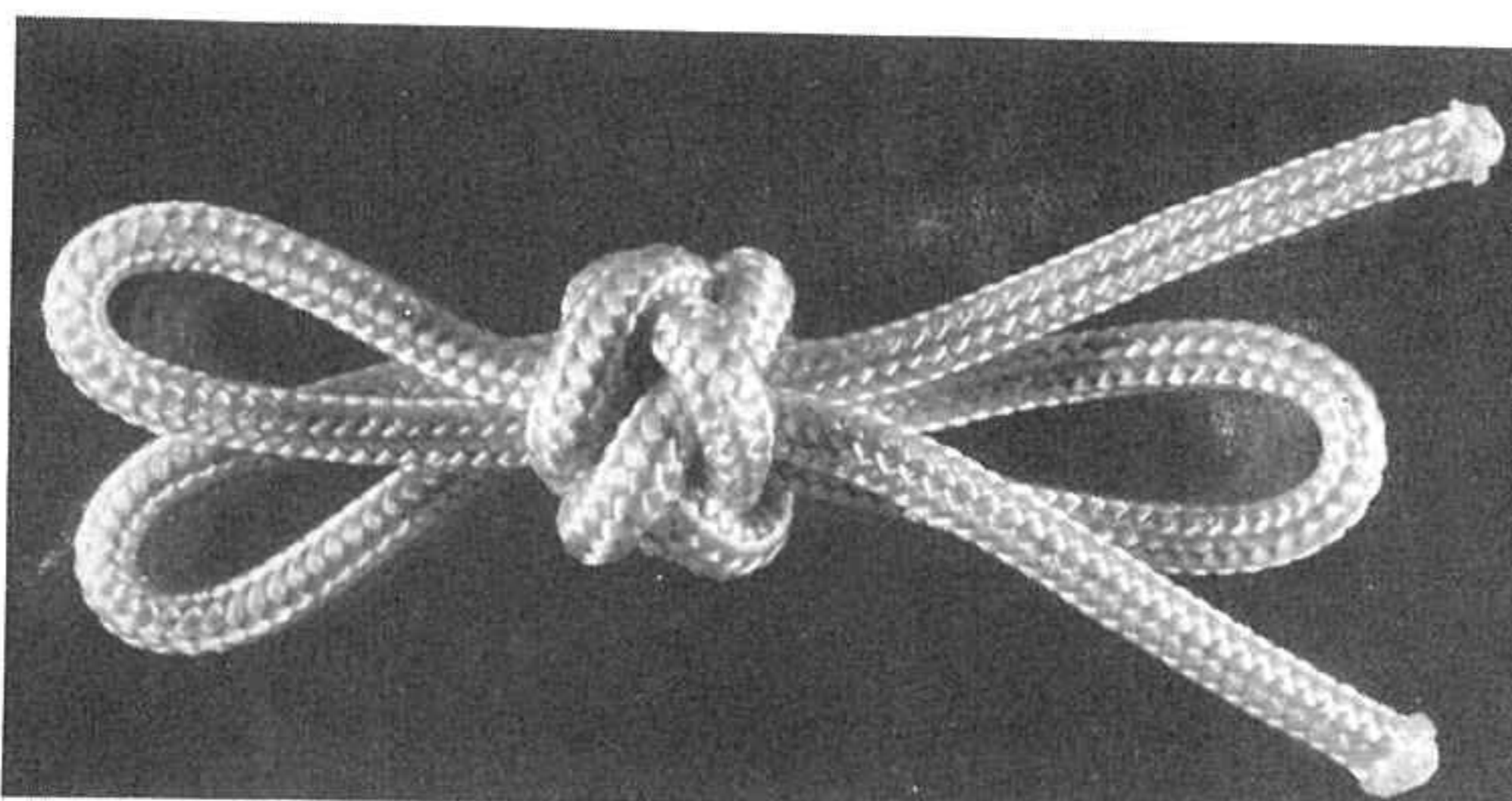
**Turk's Head Fiador Knot (Type I) 4p/4b**



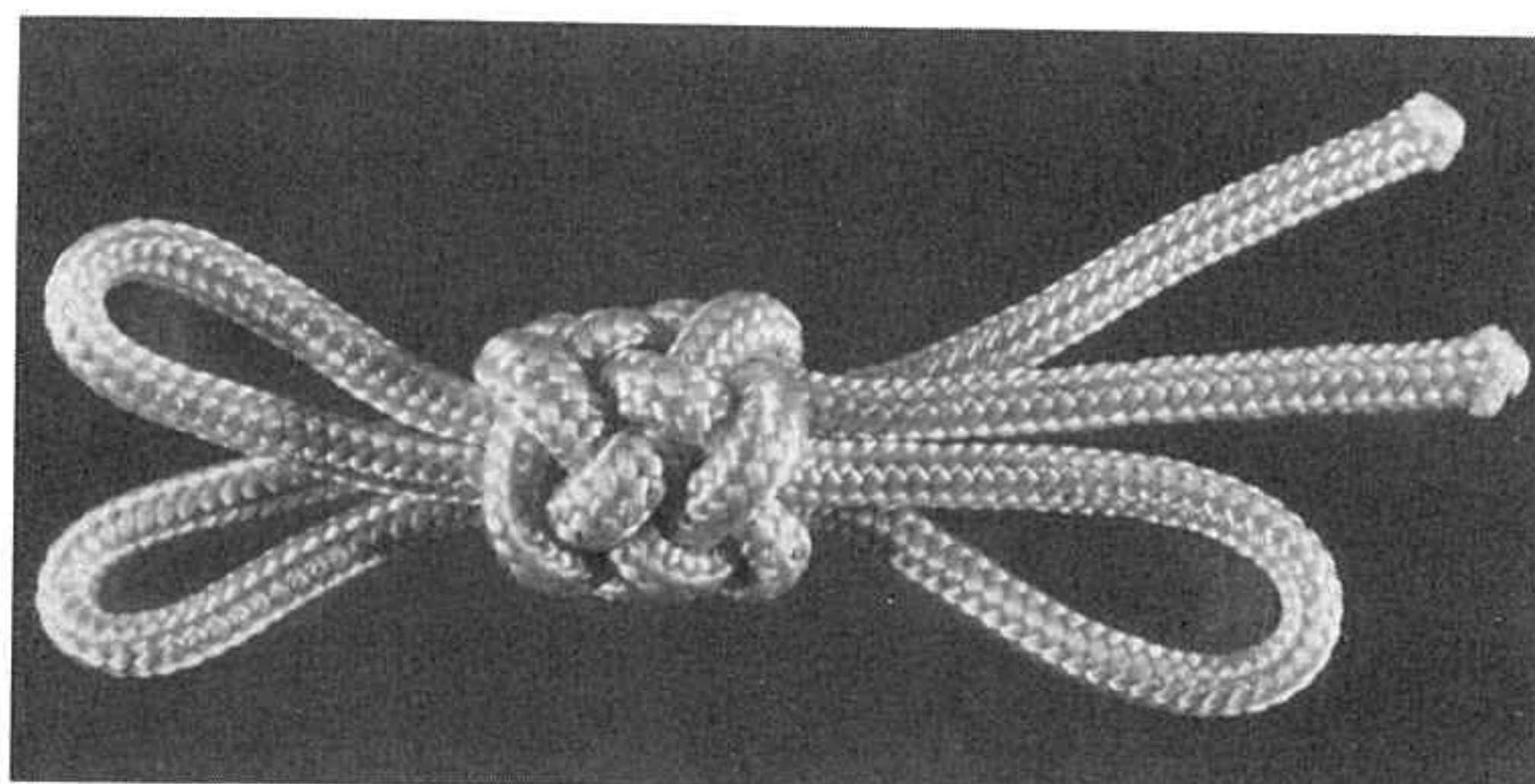
**Reversed Turk's Head Fiador Knot (Type I) 4p/4b**



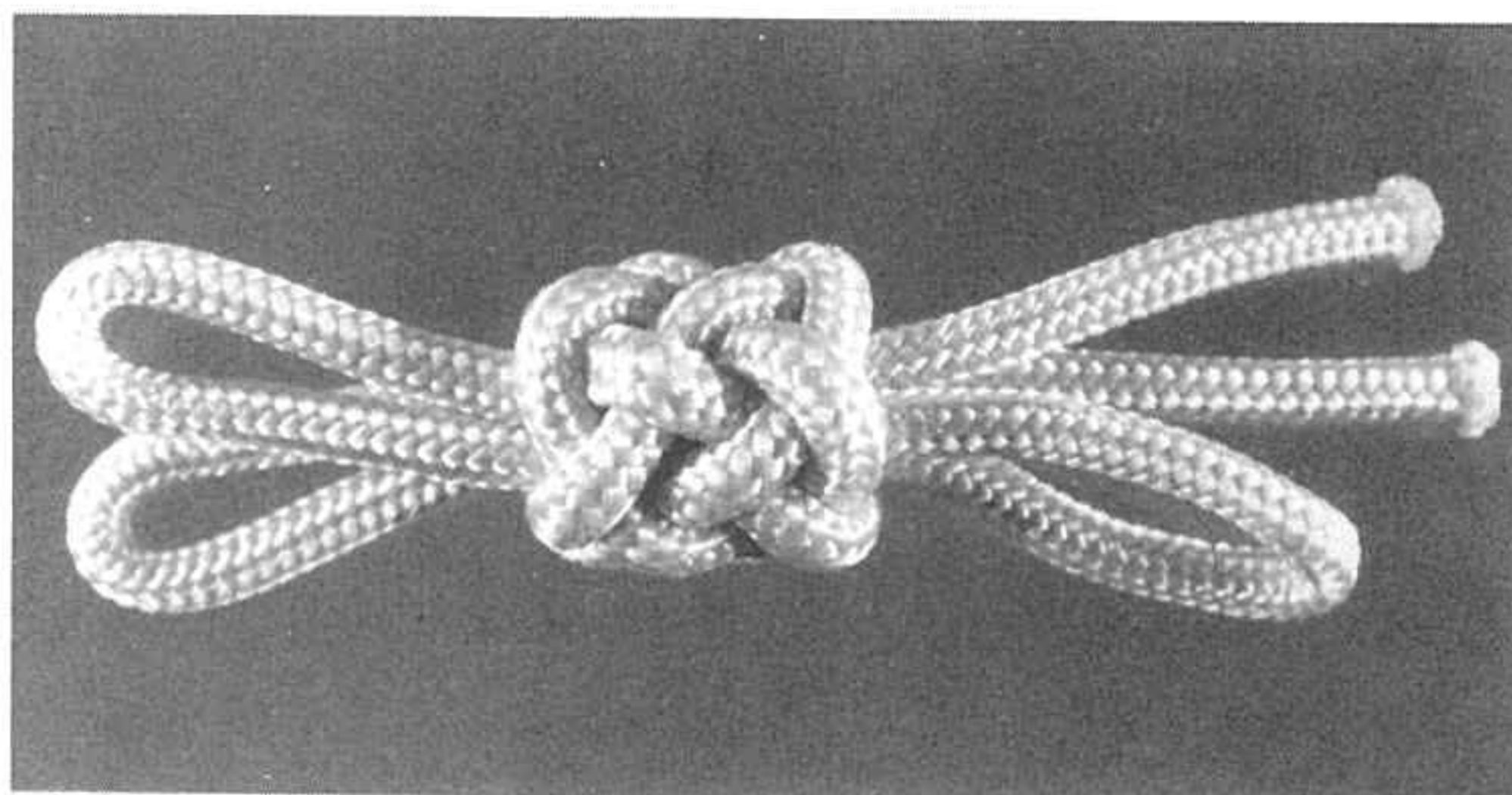
**Universal Turk's Head Fiador Knot (Type I) 4p/4b**



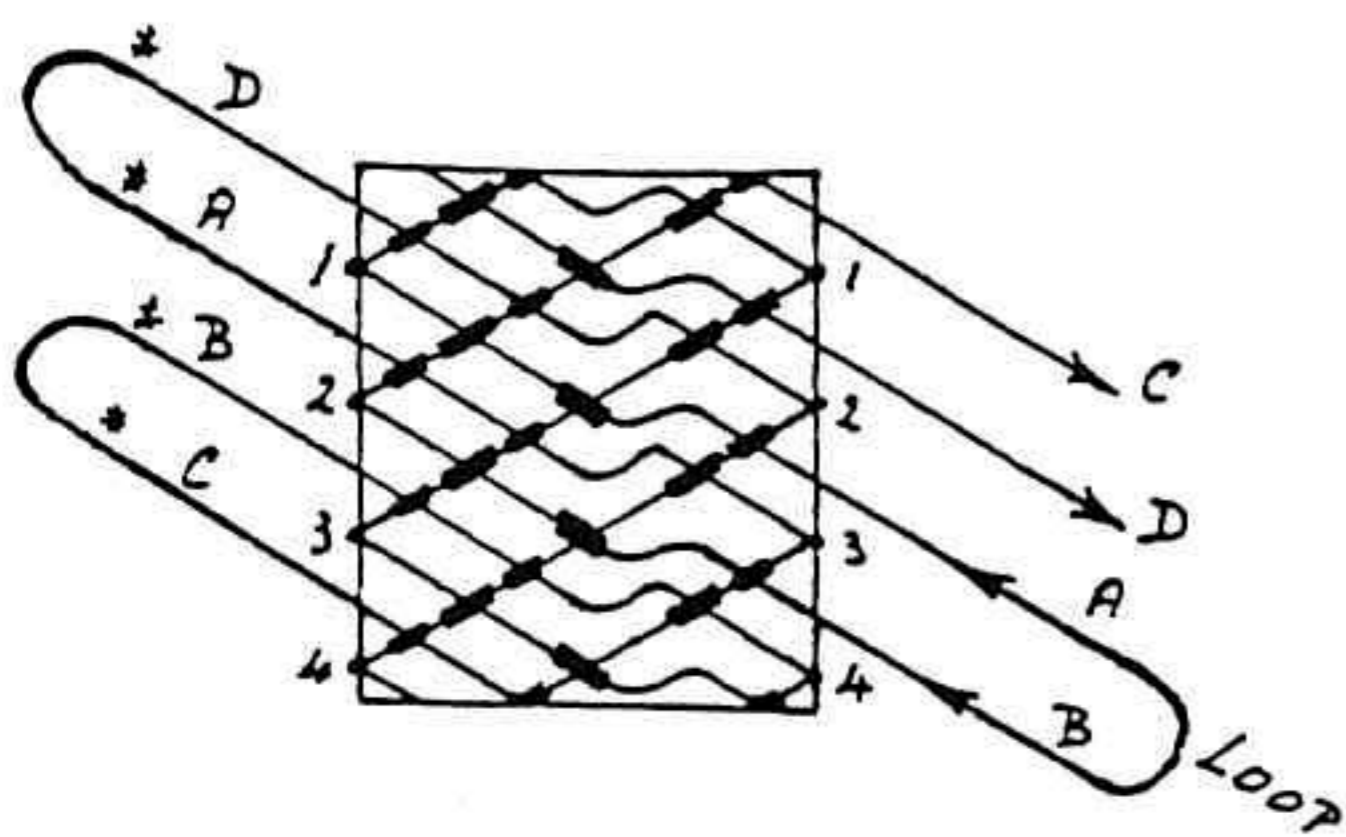
**Crowned Matthew Walker Fiador Knot (Type I) 4p/4b**



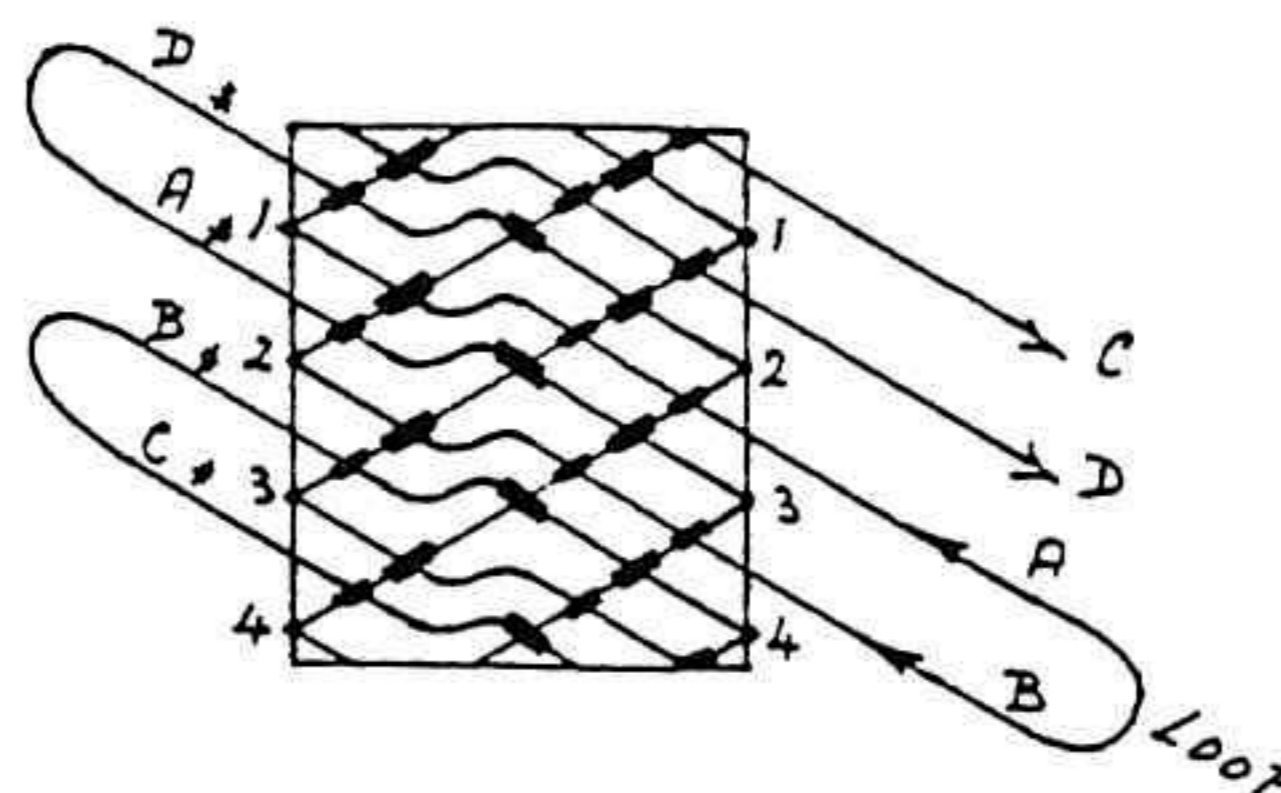
**Turk's Head Fiador Knot (Type I) 5p/4b**



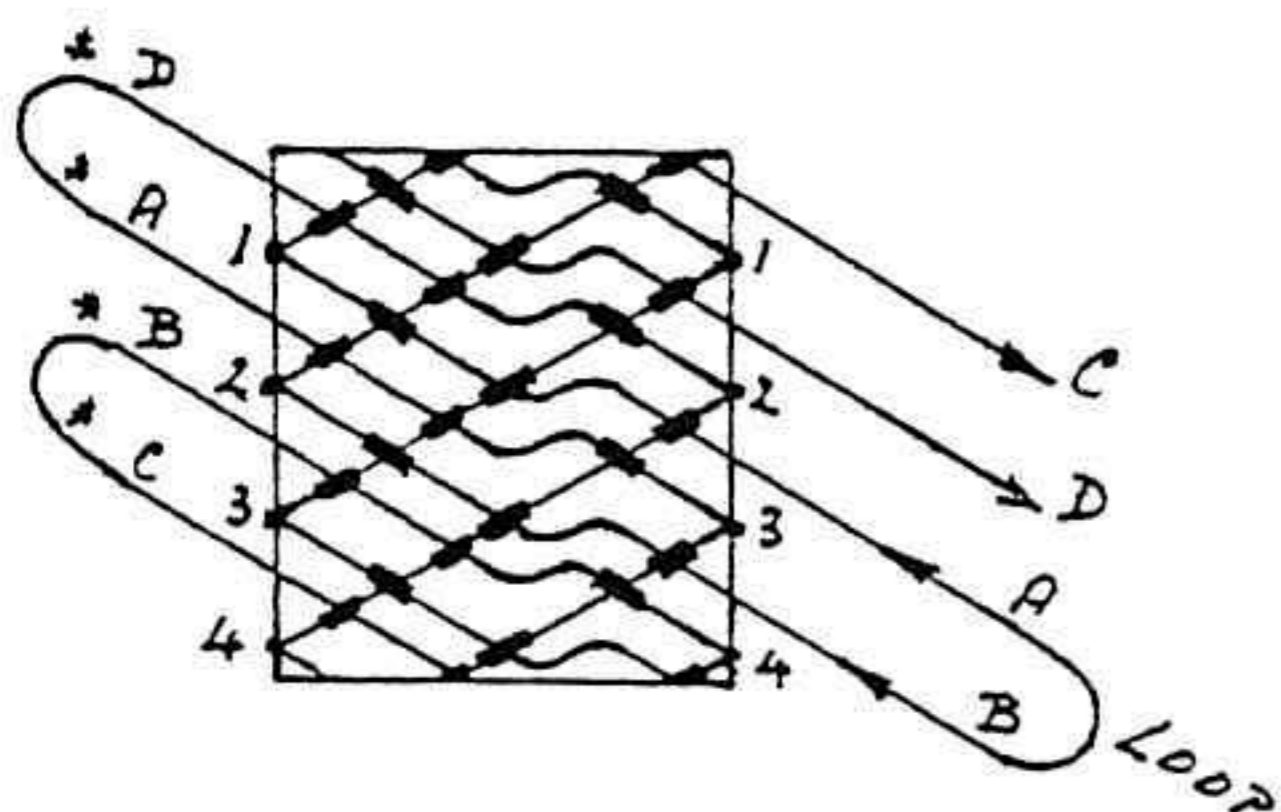
**Improved Turk's Head Fiador Knot (Type I) 5p/4b**



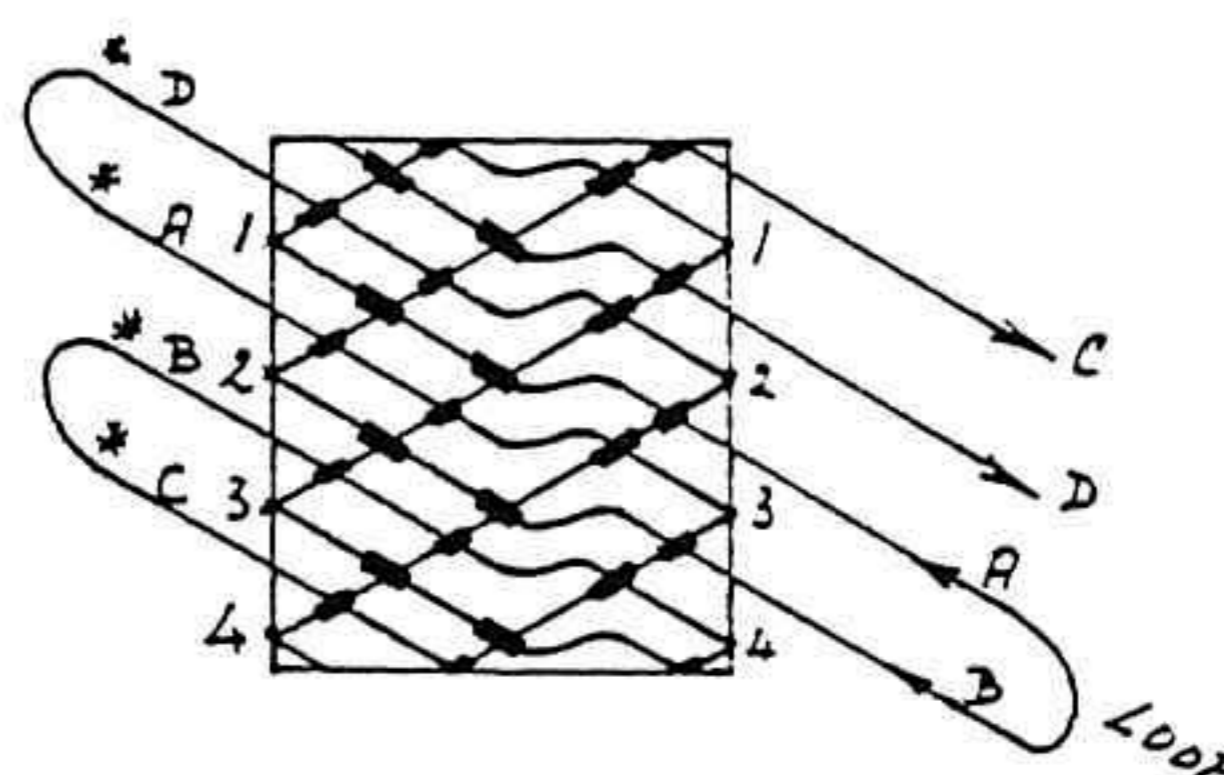
**Turk's Head  
Fiador Knot  
(Type I) 4p/4b**



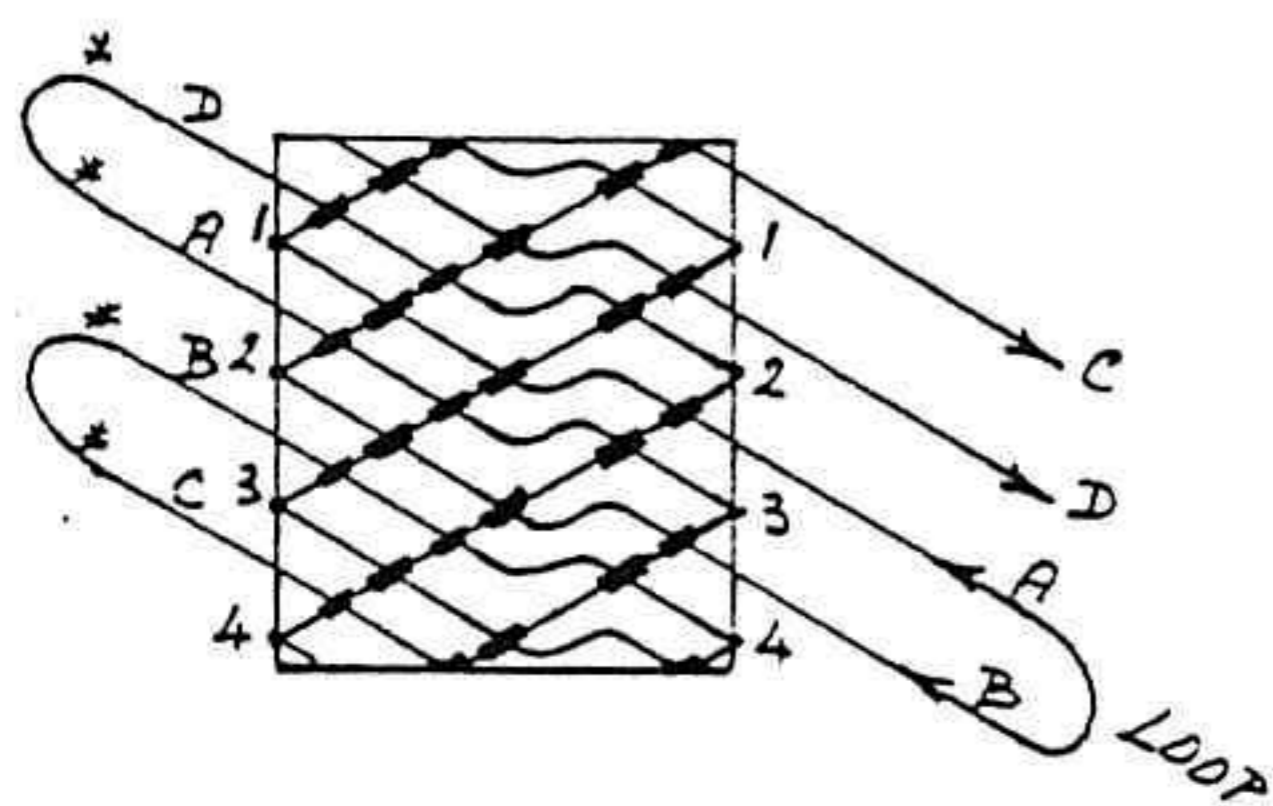
**Reversed Turk's Head  
Fiador Knot  
(Type I) 4p/4b**



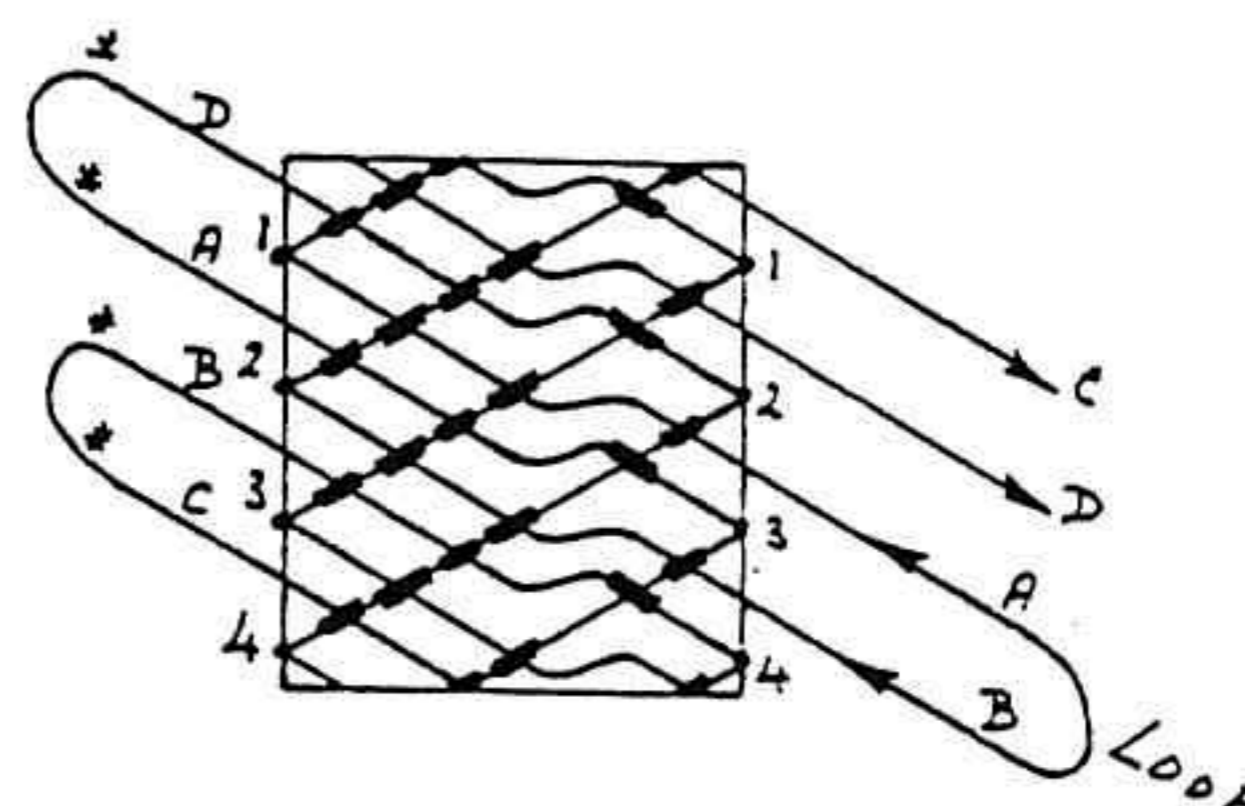
**Universal Turk's Head  
Fiador Knot  
(Type I) 4p/4b**



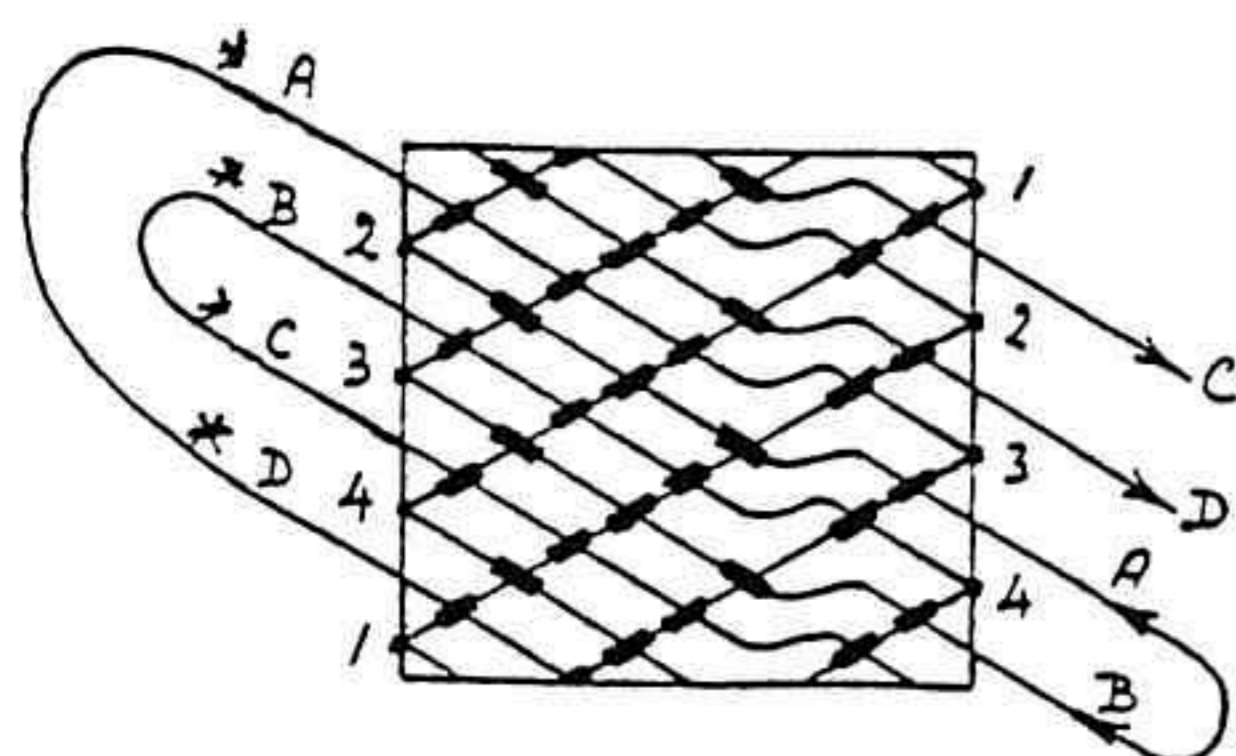
**Outside Matthew Walker  
Fiador Knot  
(Type I) 4p/4b**



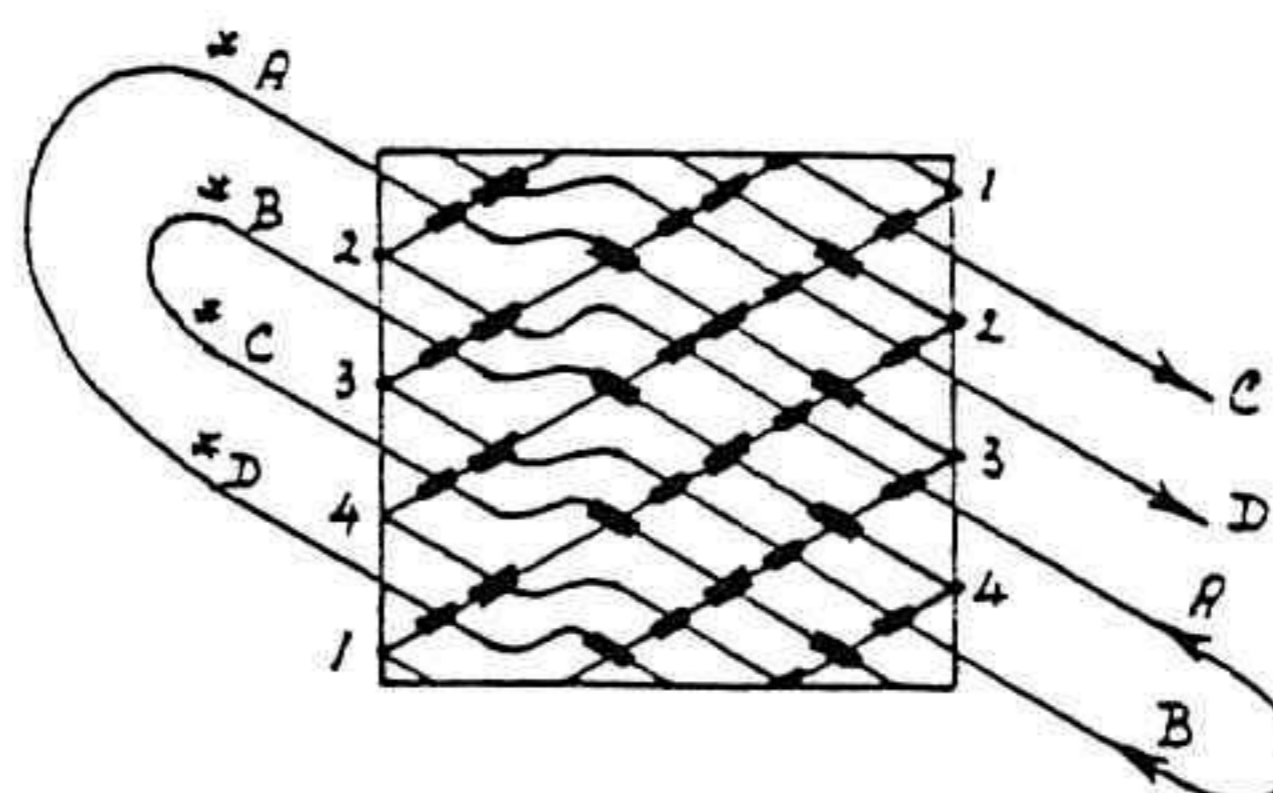
**Matthew Walker  
Fiador Knot  
(Type I) 4p/4b**



**Crowned Matthew Walker  
Fiador Knot  
(Type I) 4p/4b**



**Turk's Head  
Fiador Knot  
(Type I) 5p/4b**



**Reversed Turk's Head  
Fiador Knot  
(Type I) 5p/4b**